

DALSOUPLE

Technical & Service Partners Guide

Sample of Recommended Specification

A blank downloadable Recommended Specification form is available at dalsouple.com

1 The floor covering is Dalsouple rubber flooring

2 The Dalsouple product range is _____ eg DalMicro

3 The production type is Standard DalNaturel*

* Please check if your choice is available in DalNaturel.

4 The surface finish is _____ eg Martelé

5 The tile size is _____ eg 1760 x 680mm

6 The tile thickness is _____ eg 2.5mm

Dalsouple recommends a minimum thickness of 2.5mm for floors

7 The colour is _____ eg Vert Ecosais

8 DalTerrazzo Base colour _____ eg Bleu Pâle

Chip colour _____ eg Vanille

Density _____ eg Medium

Chip shape(s) _____ eg Mini Triangles

9 DalMarbre Base colour _____ eg Pistache

Marbre colour(s) & Percentage(s) _____ eg Banane 50%

10 The price per square metre is _____

- **Installation** shall be in strict accordance with BS8203 approved methods, or local equivalent. Tiles should be laid broken-bonded in all cases. Back of each tile should be brushed prior to installation. Plaques should be back rolled prior to installation. Installation shall be carried out by an experienced installer: contact Dalsouple 01278 727777 for a current listing of flooring contractors with experience of Dalsouple flooring. Installation shall be deferred until all other work that might cause damage to the flooring is completed and the floor must be protected after installation.
- **Surface Preparation and Adhesives** please contact Tremco Technical Service tel 01753 691696 or Mapei (UK) Technical Service tel 0121 508 6970
- **Cleaning and maintenance** shall be in accordance with the Dalsouple Total Floor Care Guide tel 01278 652150
- **Accessories** please contact Gradus Ltd. tel 01625 428922

The companies listed within this guide are all independent and Dalsouple are not responsible for the quality of service, or the products, which they provide.

Special Qualities

In addition to standard production quality, Dalsouple rubber flooring is available in a wide range of special qualities to suit more specialist environments, for example:

MFR (Marine Fire Resistant) to IMO Res MSC 61(67)	Meets current legislation requirements for use on all registered shipping
WFR (Wall Fire Resistant) to BS476 Class 0	For internal walls and ceilings
EFR Extra Flame Resistant	Developed for hovercraft/aviation use
Low smoke & Extra Flame Resistant	For particularly high risk areas eg fire escape routes and tunnels
EUVS Extra UV Stabilised	For installations exposed to high levels of sunlight, eg heavily glazed areas
Outdoor quality	Formulated for extra resistance to changes in temperature, with UV stabilised colour pigments
Dissipative electrically conductive	For electrically sensitive areas, eg operating theatres
Oil resistant	For use in areas subject to oil spillage, eg drilling platforms, petrol stations, engine rooms

Colours

Some of the special qualities, for example Marine Fire Resistant and Wall Fire Resistant, are not available in every colour. Please check before ordering

You should be aware that due to the different compounds used, and the different manufacturing techniques required, there will be differences in colour between standard production and special qualities.

Availability

Most of the finishes and textures in the Dalsouple range are available in the qualities listed above. However, there are one or two exceptions. Please check before ordering.

If you have any questions about our special qualities, please contact us

Special Colours

We have 80 standard DalColours or your custom colour with no minimum quantity. If you can't find the colour you want just supply a colour reference for us to match and we'll send you a sample of your custom colour for approval. Please contact us for details. We will achieve the best possible colour match, bearing in mind that colours may vary between different materials, and that colour appearance may vary based on lighting conditions and angles of view.

Please note that the DalLastic range is not available in special colours.

To use the special colour matching service please contact us.

Technical Information

The following are the EN test results for standard Dalsouple rubber flooring in DalTex, DalMicro and DalUni.

DalTex & DalMicro finishes

Properties according to EN 12199. Specification for homogeneous and heterogeneous profiled elastomer floorcoverings.

CHARACTERISTICS TESTED	UNIT	DALTEX RESULTS	DALMICRO RESULTS
THICKNESS	mm	CONFORMS $< \pm 0.20\text{mm}$	CONFORMS $< \pm 0.20\text{mm}$
DIMENSIONS			
Length/width	mm	CONFORMS $\leq 0.15\%$	CONFORMS $\leq 0.15\%$
RELIEF WEAR	mm	CONFORMS $\leq 0.10\text{mm}$	N/A
DIMENSIONAL STABILITY			
Direction 1	%	CONFORMS $\leq 0.4\%$	CONFORMS $< 0.4\%$
Direction 2	%	CONFORMS $\leq 0.4\%$	CONFORMS $< 0.4\%$
STRAIGHTNESS OF CUT/ DIMENSIONAL ACCURACY	mm	CONFORMS $\leq 0.50\text{mm}$	CONFORMS $< 0.50\text{mm}$
CIGARETTE BURN RESISTANCE			
Glowing		CONFORMS ≥ 5	CONFORMS ≥ 4
Stubbed		CONFORMS ≥ 4	CONFORMS ≥ 3
RESISTANCE TO TEARING			
in flexion on a dowel radius of 20mm		CONFORMS	CONFORMS
HARDNESS			
SHORE A		CONFORMS ≥ 70	CONFORMS ≥ 70
RESISTANCE TO INDENTATION	mm	CONFORMS ≤ 0.25	CONFORMS ≤ 0.25
RESISTANCE TO WEAR & ABRASION	mm	CONFORMS ≤ 250	CONFORMS < 250
COLOUR STABILITY		Level 6 - CONFORMS	Level 6 - CONFORMS

DalUni smooth finish

Properties according to EN 1817. Specification for homogeneous and heterogeneous smooth elastomer floorcoverings

CHARACTERISTICS TESTED	UNIT	REQUIREMENTS OF NORM EN 1817
THICKNESS	mm	CONFORMS $\leq \pm 0.20\text{mm}$
STRAIGHTNESS OF CUT/ DIMENSIONAL ACCURACY	mm	CONFORMS $\leq 0.35\text{mm}$
DIMENSIONS	mm	CONFORMS $\leq 0.15\%$
DIMENSIONAL STABILITY		
Direction 1	%	CONFORMS $\leq 0.4\%$
Direction 2: perpendicular	%	CONFORMS $\leq 0.4\%$
RESISTANCE TO TEARING		
Direction 1		CONFORMS ≥ 20
Direction 2: perpendicular	N/mm ²	CONFORMS ≥ 20
CIGARETTE BURN RESISTANCE		
Glowing		CONFORMS ≥ 4
Stubbed		CONFORMS ≥ 3
RESISTANCE TO TEARING		
in flexion on a dowel radius of 20mm		CONFORMS
HARDNESS	SHORE A	CONFORMS ≥ 75
RESISTANCE TO INDENTATIONS	mm	CONFORMS $\leq 0.20\text{mm}$
RESISTANCE TO WEAR & ABRASION	mm ³	CONFORMS $\leq 250\text{mm}^3$
COLOUR STABILITY		6 CONFORMS
THICKNESS WEAR STRENGTH	mm	CONFORMS
FIRE RESISTANCE		CONFORMS
ELECTRICAL RESISTANCE/ ANTISTATICITY	Ohms	CONFORMS

Standards and certification

Dalsouple rubber flooring meets European standards in all key performance areas. For full details of test results visit dalsouple.com or email tests@dalsouple.com. Please email tests@dalsouple.com or call **01278 727777** for the latest Slip Resistance test results.

Technical Information

Slip resistance

Dalsouple is designed to offer a good degree of slip resistance underfoot in dry conditions and can still be slippery when wet. To minimise the risk of slippage, it is important to use effective entrance matting around all external entrances, and to use warning signs when cleaning takes place.

Thickness

Dalsouple rubber is available in a range of thicknesses. Dalsouple recommends a minimum thickness of 2.5mm for use on floors, other than for exhibition use. Thinner qualities are available for non-floor use only.

Installation

Dalsouple plaques should be back rolled prior to installation. Tiles should be laid broken – bonded on all cases (except DalSport, DalKit & DalEquipe). The back of the tiles should be brushed clean prior to installation. Specific attention should be paid to the recommendations of the adhesive manufacturer with regard to the requirement of rolling and weighting of Dalsouple tiles.

Colour variation

Because we make all our products to order, it is essential that all the material required for each installation is ordered in one batch to avoid variation in colour. If you order more than one Dalsouple product in the same colour, for example DalTex and DalUni, due to batch manufacturing it is not possible to obtain an exact colour match between the two products. The necessary stripping and sealing process will further change the appearance of the rubber.

Colour reproduction

The samples in our folder are designed to give you an accurate representation of colour. However, you should note that due to the manufacturing process, colours may vary slightly from batch to batch. Also, as with any type of colour sampling, the colours in the folder may be subject to slight variation over time. The folder should be changed periodically to maintain accurate colour communication.

Colour fastness

Dalsouple rubber is manufactured in accordance with DIN EN 12199. Its colour stability is measured to Blue Scale <6 (colour fast, ultra violet and ozone resistant). However this is not a guarantee that the rubber will not fade.

Fading and appearance variations can occur for many reasons, eg. incorrect cleaning and maintenance procedures, strong sunlight, chemicals and wear etc. Dalsouple manufacture an extra UV stabilised (EUVS) quality which is available on request. Please contact us for more information.

DalSport & DalEquipe for weightlifting areas

DalSport and DalEquipe loose lay interlocking tiles are to be laid in accordance with BS8203 approved methods or local equivalents. Lay the main field 24-48 hours prior to cutting in the perimeter tiles. The ambient temperature should be at least 18°C which enables the tiles to have sufficiently acclimatised. No adhesive is required, connect tiles together using the male and female interlocking sections, work from the centre of the room outwards ensuring a solid connection between tiles. Due to the nature of rubber, an expansion gap of between 0.5% and 1% of the room dimensions should be considered to take into account any extremes of room temperature. Ideally the perimeter tiles should be finished under the skirting to disguise the initial expansion gap.

Please note that over a period of time, continuous dropping of weights will cause additional expansion of the tiles. Allowance should be made for further trimming at a later date.

Further information For full technical information visit dalsouple.com

Preparation & condition of the base

Before any adhesive is applied it is necessary to ensure that the subfloor or base is structurally sound, smooth, clean, dry, free from dust, grease, oil, paint, polish or any other contaminant, which may affect adhesion. A concrete subfloor or cement/sand screed must be fully cured and without laitance. An effective damp proof membrane must be provided, where necessary, in relation to the floor covering used. The site conditions should comply with British Standards 8203 and good ventilation needs to be provided to enable adhesives to dry.

Most Epoxy/PU Adhesives are slow to cure. These adhesives should be kept free of foot traffic until cured. Ensure the back of the Floorcovering remains in contact with the adhesive until cured. Sandbagging may be necessary but always refer to the Adhesive manufacturer's recommendations.

Concrete /screed drying times

Please remember that 150mm of concrete will often take more than 12 months to dry (refer to BS8203 document)

The moisture content of the concrete/sand cement subfloor must not exceed 75% RH as measured by hygrometer before any adhesive or floor smoothing compound may be applied. If the moisture content is excessive a Tremco Surface Membrane system is recommended.

Important Note: Calcium Sulfate/Gypsum based Screeds should never be treated in the same way as concrete or sand cement. If in doubt ask for a full Screed Specification and contact the Tremco Technical Department on 01753 691696.

Underfloor Heating

Ensure that the Underfloor Heating System is fully commissioned, tested and brought up to maximum design operating temperature before applying Surface DPMs and Underlayments. The surface temperature of the concrete/sand cement screed must not exceed 27°C when fully commissioned, as per the British Standards codes of practice and the Floorcovering industry maximum agreed level.

The underfloor heating system should be switched off at least 48 hours before, during and after the installation of the floor coverings, adhesives, Surface DPMs and underlayments and gradually re-commissioned in accordance with the manufacturer's recommendations.

Screed/concrete surface temperatures should be checked using a Raytek (or similar) hand held monitor. Note! Higher surface temperatures will accelerate the curing of smoothing compounds, adhesives and surface DPMs and may reduce overcoating and installation windows (Please refer to Tremco product literature and contact your Tremco Technical Representative for assistance).

During the period of decommissioning an alternative heating source should be provided, if required, to ensure that the area of installation is kept at a constant temperature of between 18°C – 27°C.

Failure to follow these guidelines can result in the floorcovering de-bonding, shrinkage, joints opening, and on some occasions discolouring.

Adhesive Selection

Dalsouple rubber floor covering can be laid with the following TREMCO or MAPEI products.



Treadfast Floor Membranes, Smoothing Compounds and Adhesives

Tremco are a global organisation manufacturing high performance Surface Damp Proof Membranes, Smoothing Compounds, and Specialist Flooring Adhesives for use in Department Stores, Shops, Schools, Hospitals and most commercial and Industrial buildings. Our goal is to understand our customers' needs and satisfy them by providing problem solving solutions.

Our **free of charge** Specification and advice service includes information on the following:

- Smoothing Compounds which can usually receive floor finishes after 24 hours (Treadfast Unitex & Treadfast Unismooth).
- Surface Damp Proof Membranes (including Treadfast ES3000, Treadfast Fastrak Universal and Treadfast One Coat Universal)
- Primers for most surfaces including calcium sulphate screeds
- Specialist Adhesives including conductive adhesives for virtually all internal and external applications.

Tremco Limited, manufacturer of sealants, adhesives and weatherproofing technologies is committed to excellence in protecting the environment. A copy of their Environmental Policy Statement is available by contacting the company address on the following page.

The following Tremco products are recommended for Dalsouple rubber floor coverings.

Product name	Product type	Comments
TREADFAST 5000 AT	1 part adhesive derived from advanced polymer technology which is both solvent and isocyanate free - re-sealable container means less waste	Developed for bonding a wide range of floor coverings including: sythetic and natural rubber tiles and sheet in internal heavy wear and wet or dry areas.
TREADFAST 108	Acrylic dispersion (water bourne and solvent free) adhesive for most rubber floor coverings	Suitable for single stick bonding of rubber flooring, tiles and sheet to porous surfaces in dry areas which are subject to heavy foot traffic.
TREADFAST TRETOTHANE	Polyurethane resin (catalyst cured) for interior or exterior use with wear levels up to heavy industrial traffic	Designed for the permanent bonding of a wide range of floor coverings, including synthetic rubber, in wet and highly trafficked areas.
TREADFAST 115	Solvent based, flammable contact adhesive for rubber	Developed for contact bonding of a wide range of floor coverings including rubber tiles.
TREADFAST 111	Solvent based, non-flammable contact adhesive for rubber	Designed for the permanent bonding of: smooth backed rubber floor coverings, and rubber nosings and covings to horizontal or vertical surfaces.
TREADFAST 1635	2 part, solvent based, flammable contact adhesive for rubber	As above and also for wet areas.

Please Note: After installation of the covering, most flooring adhesives will require 24 - 48 hours to develop strength performance. During this period, maintain constant conditions of temperature and humidity and keep the area free from other trades and casual foot traffic.



For more information contact:
Tremco Limited (European Headquarters)
 393 Edinburgh Avenue, Slough SL1 4UF
 Telephone 01753 691696
 Fax 01753 822640
 Website www.tremcoeurope.com
 Email: flooring@tremcoeurope.com



Product Name	Product Type	Usage
ADESILEX VS45	Solvent free single part high grab acrylic adhesive in water dispersion.	Interior installation on all normal absorbent and moisture stable substrates used in construction.
ECOV4SP	Solvent free universal acrylic adhesive with long open time	Interior use in dry areas even where there is heavy foot traffic.
ADESILEX G19	2-part polyurethane based water and solvent free resin	Interior/exterior. Heavy industrial use, wet areas and on difficult substrates eg. Metal/access floors.
ADESILEX VZ	Double coat polychloroprene contact adhesive.	Interior use for skirtings, curved surfaces, where immediate bond is required on new absorbent surfaces.

Please Note: Cure times are to be strictly observed to gain maximum strength performance. During this period maintain constant site conditions of temperature, humidity and keep laid area free from other trades and casual foot traffic. The back of each tile should be brushed prior to installation. The tiles should be laid broken bonded in all cases.

Mapei Floor Preparation Systems & Adhesives

Have Sales and Technical offices worldwide with over 140 production facilities. Mapei is the world's leading manufacturer of adhesives for the Construction Industry. Mapei offer the complete installation system which will give many years of durability when the correct preparation, applications and cure times are carried out with reference to the relevant data sheets.

New or repair Screeds which can be utilised after 24 hours. (Mapecem)

Self Levelling Compounds which can be laid up to 30mm thick in 1 application. (Ultraplan Maxi)

Damp and Vapour Proof Barriers applied as a surface membrane. (Primer MF)

Primers to consolidate and seal weak surfaces. Primer G: Mapeprim SP Eco Primer.

Conductive Adhesives for specialised conductive flooring

Adhesives which can be used for all types of installations whether it be domestic, commercial or heavy industrial and in some cases external applications.

Mapei - taking care of the environment

Products that are not only safe for the end user, but for the environment, products that have a very low or zero emissions of Total Volatile Organic Compounds, products that perform to the highest standards – are all provided through Mapei's technical expertise. Mapei's commitment to this market began in the early 1970s with the introduction of water-based and solvent-free products and as a member of Responsible Care® – the company is totally committed to the ongoing development of safer products, which have been and will continue to be used worldwide.

For more information contact:

Mapei (UK) Ltd, Mapei House, Steel Park Road
Halesowen, West Midlands B62 8HD

tel 0121 508 6970 fax 0121 508 6960 Email technical@mapei.co.uk

Cleaning & Maintenance



Total Floor Care Ltd

Total Floor Care offers a nationwide cleaning, maintenance and advisory service for Dalsouple rubber flooring.

Introduction

After the floor had been installed it should be swept clean. Any excess adhesive should be removed by the flooring contractor. No wet cleaning should take place for 7 days, until the adhesive has fully cured (in accordance with the adhesive manufacturer's instructions)

Preparation Product: PRO 1 Heavy Duty Stripper

PRO 1 diluted with 1:10 cold water. Apply the solution sparingly to the floor surface – do not allow it to dry out. Allow 5 minutes contact time. Scrub with standard speed machine fitted with stripping grade pad or brush for higher profile textures. Remove slurry with a wet pick up, damp mop with water, allow the floor to dry thoroughly.

Protection Product: PRO 2 Protection Undercoat

PRO 3 Emulsion Floor Dressing (Gloss)

or PRO 3 Satin Floor Dressing (Satin)

Important: No one should be allowed on the floor between preparation and protection stages. PRO 2 apply neat. An applicator must be used to apply the undercoat. Apply in one direction only, allow polish to dry thoroughly. Apply second coat at right angles to the first, allowing each coat to dry.

Maintenance Product: PRO 4 Maintainer/ Floor finish

The floor should always be dust mopped prior to the following procedures, and spots/stains should be removed with a cloth using diluted PRO4. Damp MOP using PRO 4 diluted 1:50 with water. An applicator must be used to apply the coats of maintainer. Allow to dry.

Spray Cleaning Product: PRO 4

For smooth finish products such as DalUni, DalMarbre, DalTerrazzo use PRO 4 diluted 1:6 with cold water, spray a fine mist over a manageable area 2-3m², use a buffing grade pad with a suitable high-speed machine until the floor is completely dry. Certain profiled textures may require the use of a cylindrical brush-scrubbing machine as Nilfisk Advance CA340.

Long Term Maintenance

If required, Total Floor Care will return to site after 3 months to inspect the installation and to offer a long term maintenance programme. This is part of our commitment to ensure customer satisfaction.

Wet Areas Product: PRO 1

External ramps, changing rooms etc. should be treated with PRO 1, then cleaned with PRO1 diluted 1:200 with cold water, allow the floor to dry.

Vertical Application Product: SIL

As per instructions, do not allow to come into contact with the floors (Date sheet available).

Raised Access Floors

A data sheet is available by contacting Total Floor Care, **tel 01278 652150**

DalSport, DalKit & DalEquipe

Loose lay interlocking tiles. Cleaning and Maintenance of DalSport, DalKit & DalEquipe varies to other Dalsouple products.

Preparation Product: PRO 1 Heavy Duty Stripper. PRO 1 diluted 1:10 with cold water. Apply the solution sparingly to the floor surface – do not allow it to dry out. Allow 5 minutes contact time. Use a cylindrical brush – scrubbing machine (if appropriate machinery is not available the floor can be damp mopped). Remove slurry with a wet pick-up. Damp mop with water. Allow the floor to dry thoroughly.

This procedure may need to be repeated if the waxy film, (release agent from the manufacturing process) on the surface of the product is still present.

Maintenance Product: PRO 1 Heavy Duty Stripper. Clean the floor with PRO 1 diluted 1:200 with cold water, if appropriate machinery is not available the floor can be damp mopped, then allow to dry.

For more information please contact:

Total Floor Care Ltd

3 School Lane

Combwich

Somerset

TA5 2QS

tel 01278 652150

fax 01278 653846

Email info@totalfloorcare.com

Accessories

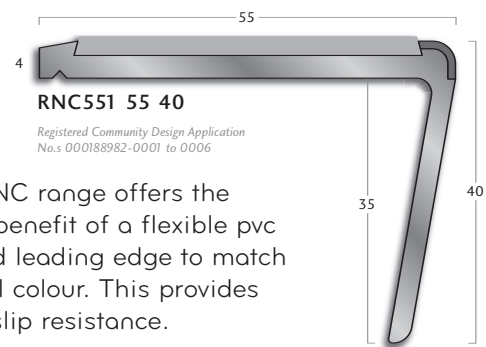
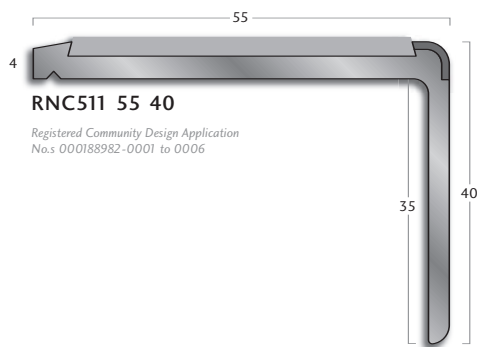
Gradus Accessories, the market leader in contract flooring accessories, offers a wide choice of product solutions for stairs and floors specially selected to complement the Dalsouple range of rubber flooring. The profiles illustrated represent only a small selection from the wide range of Gradus products available.

Stair Edgings

Gradus Hardnose stair edgings comprise of PVC-u channels and slip-resistant inserts that can be used to complement any interior design scheme.

Hardnose

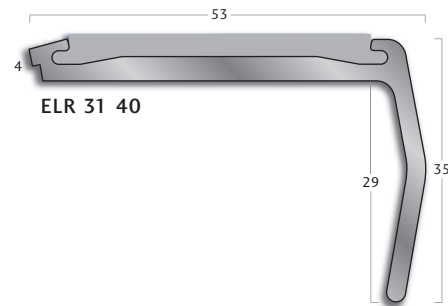
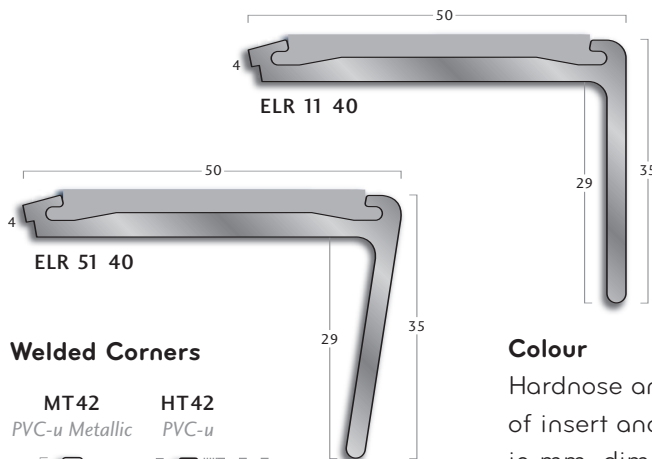
Traditional channels have pre-bonded inserts supplied with capping plugs to conceal the screw heads after fixing.



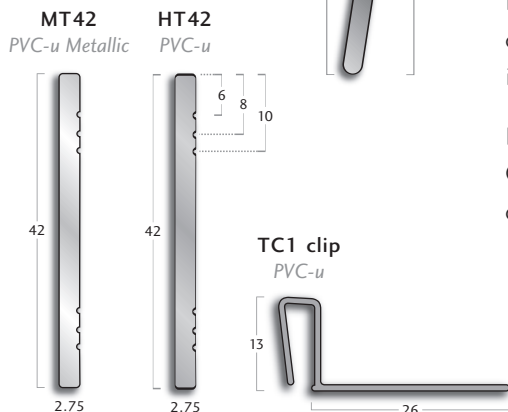
The new RNC range offers the additional benefit of a flexible pvc co-extruded leading edge to match the channel colour. This provides enhanced slip resistance.

Elite Hardnose

Elite stair edgings have separate inserts that are bonded on-site, concealing the fixings and eliminating the need for screw head cover plugs.



Welded Corners



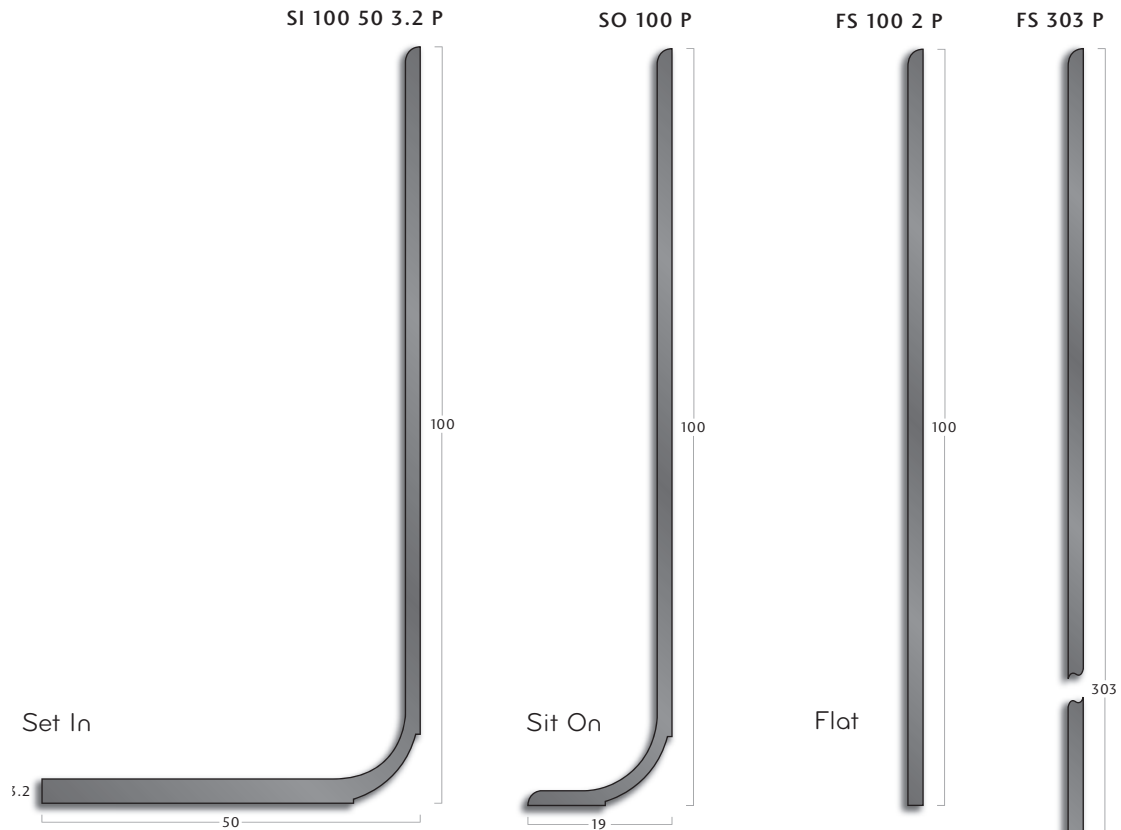
Colour

Hardnose and Elite Hardnose are available in a variety of insert and channel colours (all measurements are in mm, dimensions shown are nominal).

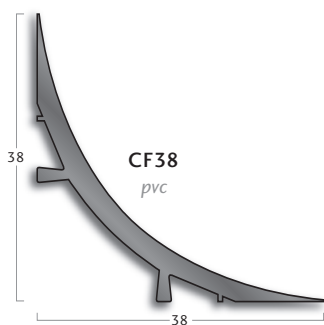
Dalsouple can match to most of the colours in the Gradus range. Please note that Gradus colours vary dependant on the product/material chosen.

Skirtings

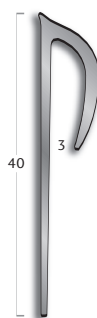
Gradus PVC skirtings are through-coloured for maximum performance. Profile designs include Set-In which provides an impervious seal when welded to the floorcovering; Sit-On which is fitted over most hard floorcoverings for a neat finish; and Flat which is often installed with carpet or carpet tile. All profiles are available in a wide range of colours.



Cove Former & Capping Seal



HCS48 pvc



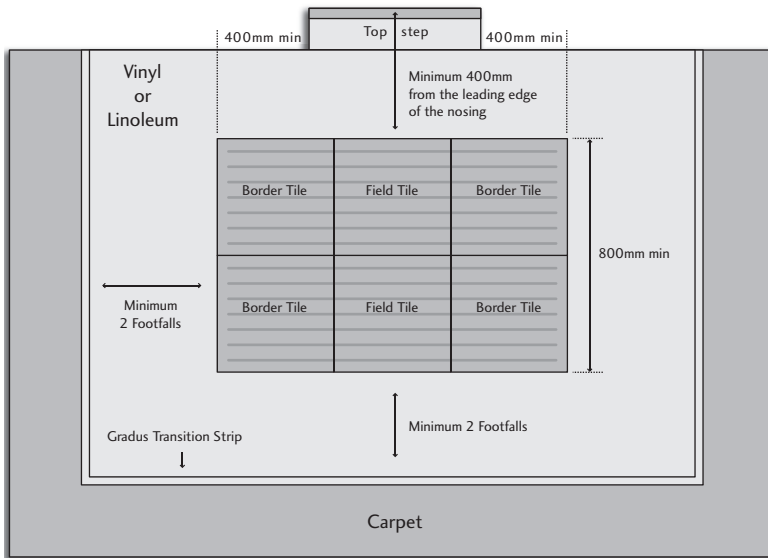
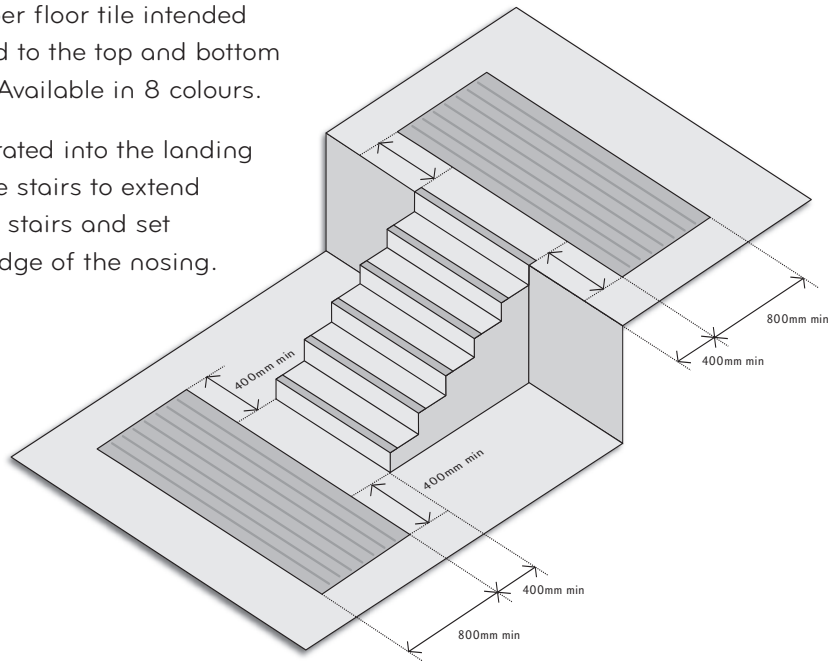
Cove formers are used to form a cove where floorcoverings are continued up the wall. Used in conjunction with capping seals, they provide a neat finish to the top of the floorcovering.

GRADUS

 ACCESSORIES

Tread Alert is a tactile rubber floor tile intended to alert the visually impaired to the top and bottom of internal flights of stairs. Available in 8 colours.

Tread Alert surface incorporated into the landing at the top and bottom of the stairs to extend 400mm at each side of the stairs and set 400mm from the leading edge of the nosing.

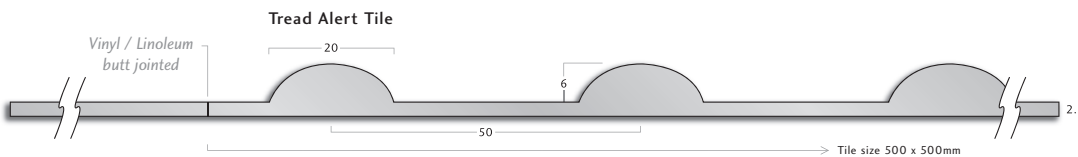


Sustainability

Gradus recognises the importance of sustainable development within its business.

To control and minimise the effects Gradus has on the environment, the company has a comprehensive sustainable development programme in place ensuring all its environmental responsibilities are fulfilled.

Further details relating to the Gradus Environmental Sustainability Pledge are available on request.



For further information, samples or installation instructions contact: Gradus Ltd, Park Green, Macclesfield, Cheshire SK11 7LZ
tel 01625 428922 fax 01625 433949
www.gradusworld.com

GRADUS
ACCESSORIES

DALSOUPLE

Showground Road, Bridgwater, Somerset TA6 6AJ England
tel +44 (0)1278 727777 fax +44 (0)1278 727788
email info@dalsouple.com www.dalsouple.com